

MA300 - SERIES



HEAVY DUTY INCREMENTAL ENCODER Ø 58 MM

Encoder with special flange and 3 mounting holes M4

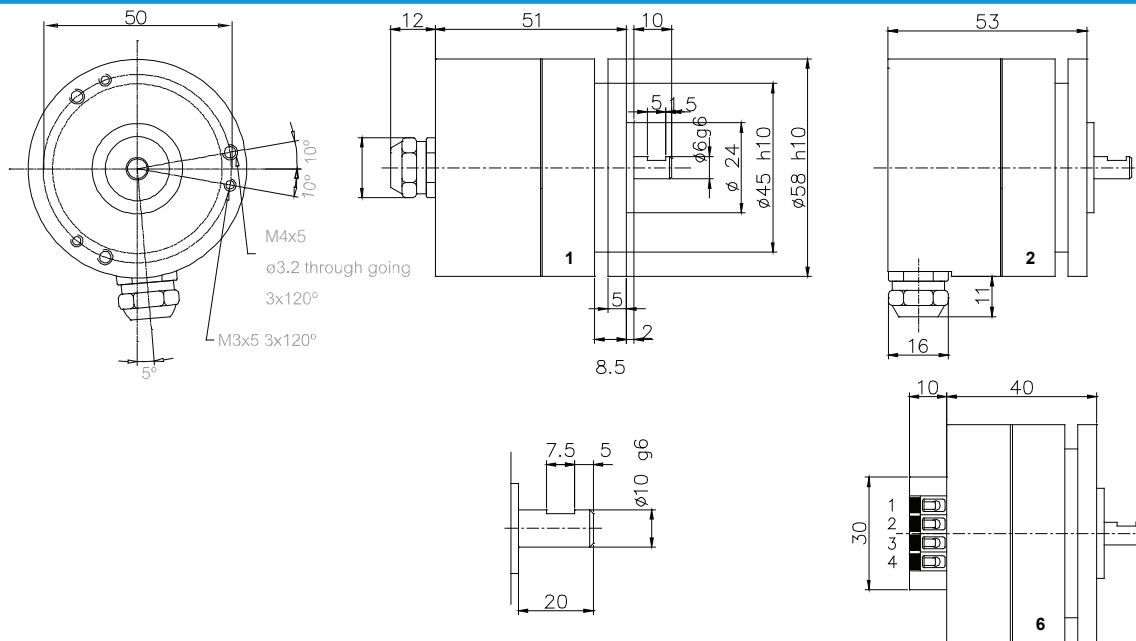
- Ø 58 mm
- 6 or 10 mm solid shaft with face
- Enlarged sturdy bearings
- Short circuit and reversed polarity proof
- Dust and splash proof up to IP67
- Standard: 7-35Vdc power supply, 100kHz
2 square wave signals
- Options: Marker pulse, and/or inverted signals
5Vdc power supply, 300 kHz
5-30Vdc power supply, 300 kHz
Customization upon request



*Flexible and durable
encoder for demanding
applications*



Conform to european EMC directive 89/336/EEC
standard:
EN61000-6-4 emission in industrial environments
EN61000-6-2 immunity in industrial environments

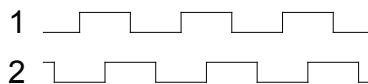


ELECTRICAL SPECIFICATION, STANDARD

Power supply	7–35 Vdc
Current consumption	Max 40 mA without load
Output circuit	HTL
Low level output volt	Max <0,5 V at 20 mA load and 20°C
High level output volt	Min >Vcc-2V at 20mA load and 20°C
Short circuit protected	Yes
Polarity protected	Yes
Transient protected	Yes
Max load	70 mA

OUTPUT SIGNALS, STANDARD

CCW rotation viewed from shaft end



SIGNAL ACCURACY

Dividing error max	±50 el°
Channel separation	90 ± 25 el°
Max frequency	100 kHz
Operating temperature	-40° till +80°C

MECHANICAL SPECIFICATION

Housing	Aluminum, electrically conductive for increased interference protection
Sealing	IP67 dust and splash proof (IP66 at shaft outlet)
Bearings	Permanently greased
Bearing load at 1 000 rpm:	
Radial	180 N Gives 50 000 hrs
Axial	130 N bearing life
Max rpm	3 000 (6 000)
Vibration	20g 20-2000 Hz
Chock	200g at 11 ms
Weight	approx: 275 g (without cable)

CONNECTIONS

1. Axial cable, 1 m 6x0,22
2. Radial cable, 1 m 6x0,22
3. Axial 6-pin male MS connector
4. Radial 4-pin male KPT connector
6. Axial 4-screw terminal
9. Axial 4-pin M8 male connector
44. Axial/Radial 4-pin M8 male connector

FUNCTION

	Cable 1-2	3	4	6	Cable M8
1	Green	A	A	3	Blue
2	Yellow	D	B	4	Black
1 inv	White	B	-	-	-
2 inv	Black	C	-	-	-
+V	Red	E	C	1	Brown
0 V	Blue	F	D	2	White

MATING CONNECTORS & CABLES

For 3, MS3106E-14S-6S

For 4, KPT06E8-4S

M8SR2, Snap Straight 2m 4x0,25 PUR/PUR

M8SR5, Snap Straight 5m 4x0,25 PUR/PUR

M8SV2, Snap Angled 2m 4x0,25 PUR/PUR

M8SV5, Snap Angled 5m 4x0,25 PUR/PUR

ORDERING CODE

Model
Shaft 6 or 10 mm
Pulse rate 1-5 000
Connection
X= meter cable

