

## MG22 - SERIES



### BEARINGLESS INCREMENTAL ENCODER Ø 22 MM

*Encoder with synchro flange*

- High ingress protection class IP68
- Non-contact measuring principle
- No wearing parts with long useable life
- Small dimensions ø22mm & Flat design down to 6mm high

Standard: 7-35Vdc Power Supply, 100kHz  
2 Square Wave Signals up to 1024 ppr

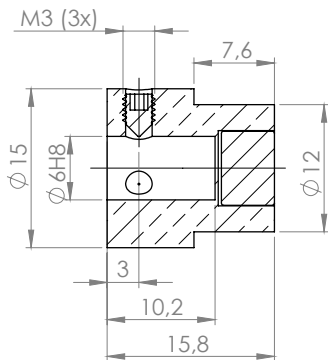
Options: Marker pulse, extended market with LED  
STATUS output with alarm function  
Extended warranty up to 48 months



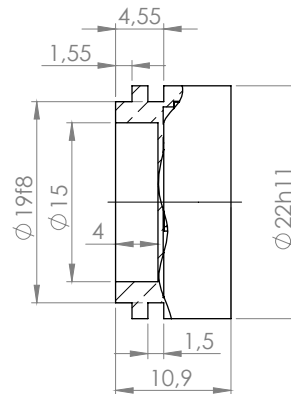
*Flexible and durable  
encoder for demanding  
applications*

## MAGNETIC CARRIER UNIT (ROTATING)

MAGNET ACCESSORY PART NO. 106001



## PICK-UP UNIT (STATIONARY)



### MOUNTING TOLERANCES

Z = 1 ± 0,5 mm  
X = 0 ± 2,5 mm

### ELECTRICAL SPECIFICATION, STANDARD

Power supply	Vcc 7–35 Vdc
Current consumption	Max 40 mA, without load
Output circuit	Line driver
Low level output volt	Max <0,5 V at 20 mA load and 20°C
High level output volt	Min >Vcc-2V at 20mA load and 20°C
Short circuit protected	Yes (thermal)
Polarity protected	Yes
Transient protected	Yes
Max load	70 mA

### CONNECTIONS

1	Axial cable, 1 m
1X	Axial cable, free cable length

### STATUS

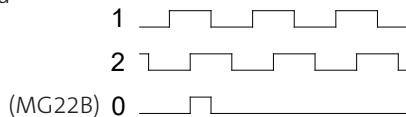
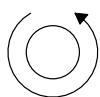
Status output Active high, indicate when magnet is within tolerance.

### FUNCTION

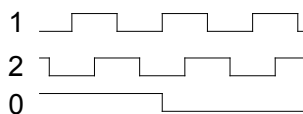
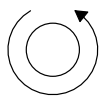
Model	MG22A	MG22B	MG22C	MG22D	MG22N
1	Green	Green	Green	Green	Green
2	Yellow	Yellow	Yellow	Yellow	Yellow
0	NC	Gray	NC	Gray	NC
0 invert	NC	NC	NC	NC	Gray
+V	Brown	Brown	Brown	Brown	Brown
0V	White	White	White	White	White
STATUS	NC	NC	Gray	NC	NC

### OUTPUT SIGNALS, MG22A & MG22C

CCW rotation seen from shaft end



### OUTPUT SIGNALS, MG22D (0-PULSE = 180° MECHANICAL)



### SIGNAL ACCURACY

Resolution	1 to 1024 ppr
Max frequency	100 kHz
Operating temperature	-40° to +70°C

### MECHANICAL SPECIFICATION

Housing material	Aluminum, electrically conductive for increased interference protection
Encapsulation class	IP68 (IEC 60529)
Max. rotational speed	9000 rpm
Vibration	50g 20-2000 Hz (IEC 60068-2-6)
Chock	200g at 11 ms (IEC 60068-2-27)
Weight	Approx. 30 g (without cable)

### ORDERING CODE

Model	MG22x	6	100	1	X
Shaft ø6 mm					
Pulserate	1-1024				
Connection					
X= meter cable					



Skogsvägen 1, SE-645 34 Strängnäs, Sweden  
Tel: +46 152 33 11 90. Fax: +46 152 33 11 91  
E-mail: info@emeta.se  
www.emetaencoders.com

Rev. 3 2019-12-18. Specifications in this datasheet is subject to change without prior notice. NC = Not Connected