

## MG500 - SERIES



### MAGNETIC INCREMENTAL ENCODER Ø 30 MM

*Encoder with synchro flange and 3 mounting holes M3*

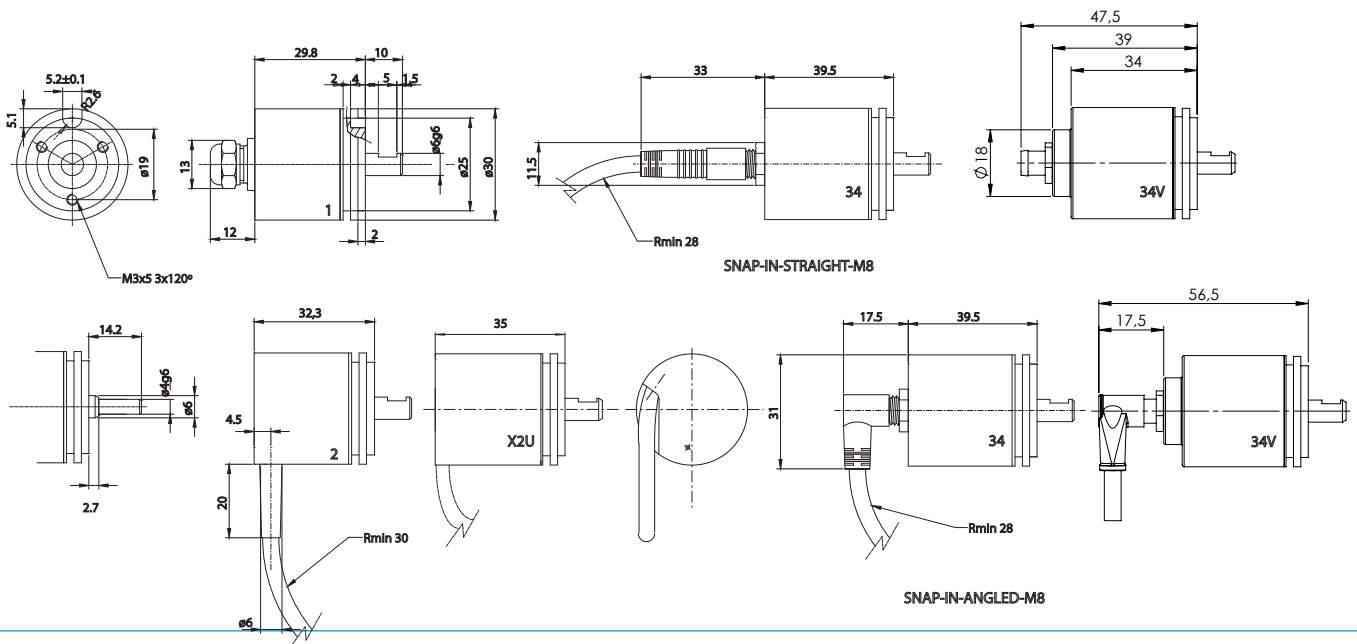
- Ø 30 mm
- 4 mm solid shaft without face or 6 mm with face
- Enlarged sturdy bearings, mechanically locked
- Short circuit and reversed polarity proof
- Ingress protection to IP67
- Standard: 7-35V Power Supply, 100kHz  
2 Square Wave Signals
- Options: Marker pulse, and/or inverted signals  
5V power supply, 300 kHz  
Customization upon request



*Flexible and durable  
encoder for demanding  
applications*



Conforms to european EMC directive 89/336/EEC  
standards:  
EN61000-6-4 emission in industrial environments,  
EN61000-6-2 immunity in industrial environ

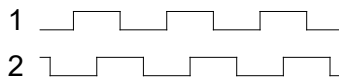
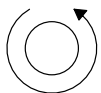


## ELECTRICAL SPECIFICATION, STANDARD

Power supply	Vcc 7–35 Vdc
Current consumption	Max 40 mA, without load
Output circuit	HTL
Low level output volt	Max <0,5 V at 20 mA load and 20°C
High level output volt	Min >Vcc-2V at 20mA load and 20°C
Short circuit protected	Yes
Polarity protected	Yes
Transient protected	Yes
Max load	70 mA

## OUTPUT SIGNALS, STANDARD

CCW rotation seen from shaft end



## SIGNAL ACCURACY

Channel separation	90 el°
Max frequency	100 kHz
Operating temperature	-40° to +80°C

## MECHANICAL SPECIFICATION

Housing	Aluminum, electrically conductive for increased interference protection
Sealing	IP67 dust and splash proof (IP66 at shaft outlet)
Bearings	Permanently greased
Bearing load at	1 000 rpm
Radial	50 N Gives 50 000 hrs
Axial	37 N bearing life
Max rpm	3 000 (12 000)
Vibration	20g 20-2000 Hz
Chock	200g at 11 ms
Weight	approx. 60 g (without cable)

## CONNECTION

1xU	Axial cable, Unitronic PUR
2xU	Radial cable, Unitronic PUR
X2U	Axial/radial 2m cable, Unitronic PUR
34	Axial 4-pin M8 male connector
34V	Axial 4-pin M8 male connector

## CABLE TYPE / FUNCTION

	U, Unitronic	34	Mating cable M8
1	Green	3	Blue
2	Yellow	4	Black
+V	Brown	1	Brown
0V	White	2	White
Screen <sup>(*)</sup>	Chassis		Chassis

## MATING CABLES FOR M8, CONNECTOR OPTION "34"

M8SR2,	Snap Straight 2m 4x0,25 PUR/PUR
M8SR5,	Snap Straight 5m 4x0,25 PUR/PUR
M8SV2,	Snap Angled 2m 4x0,25 PUR/PUR
M8SV5,	Snap Angled 5m 4x0,25 PUR/PUR

## ORDERING CODE

Model	MG500	6	100	1	x	U
Shaft 4 or 6 mm						
Pulse rate 1-1024						
Connection						
x = cable length (m)						
Cable type						



Skogsvägen 1, SE-645 34 Strängnäs, Sweden  
 Tel: +46 152 33 11 90. Fax: +46 152 33 11 91  
 E-mail: info@emeta.se  
 www.emetaencoders.com