

## STATOR COUPLING



### STATOR COUPLING

3-300-2029

- For use with 58 mm hollow shaft encoders
- Suitable for use with MA100-Series  
MA120-Series  
MA210-Series  
MA300-Series  
MB480-Series  
MB490-Series
- Steel



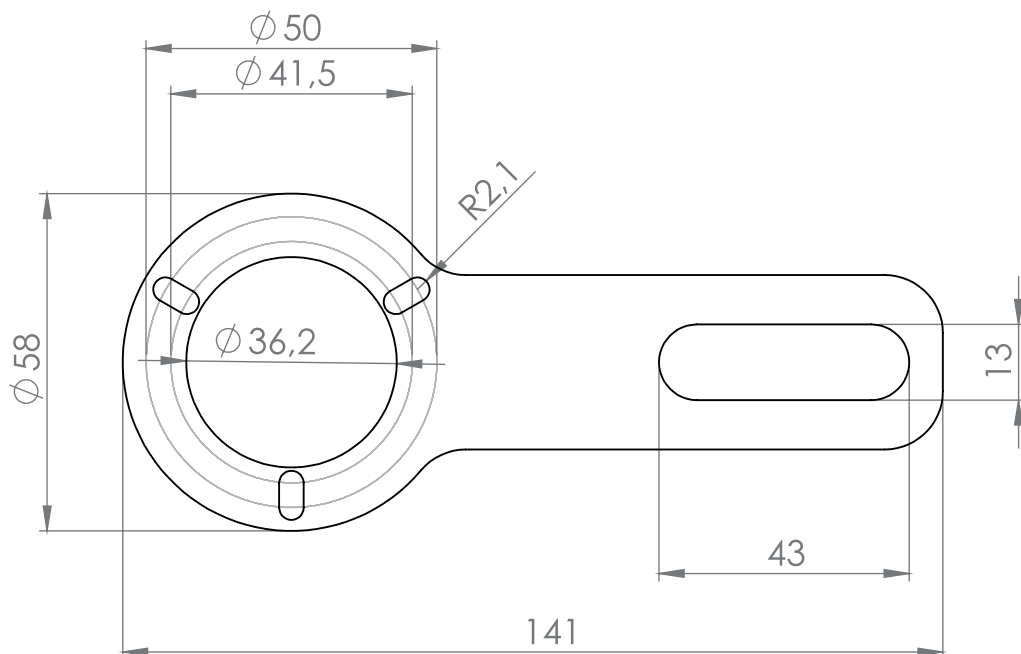
*Flexible and durable  
encoder for demanding  
applications*

**CE** File E342441

**CE** Conforms to european EMC directive  
89/336/EEC standards:  
EN61000-6-4 emission in industrial environments  
EN61000-6-2 immunity in industrial environments

# DESCRIPTION ROTATION STOP 3-300-2029

---



**3-300-2029**  
Rotationstop

ORDERING KEY

3-300-2029



Skogsvägen 1, SE-645 34 Strängnäs, Sweden  
Tel: +46 152 33 11 90 Fax: +46 152 33 11 91  
E-mail: [info@emetaencoders.com](mailto:info@emetaencoders.com)  
[www.emetaencoders.com](http://www.emetaencoders.com)