

STATOR COUPLING



STATOR COUPLING

3-213-1733

- For use with 58mm hollowshaft encoder
- Suitable for use with MA200-series encoders
- Mounting at the encoders flange

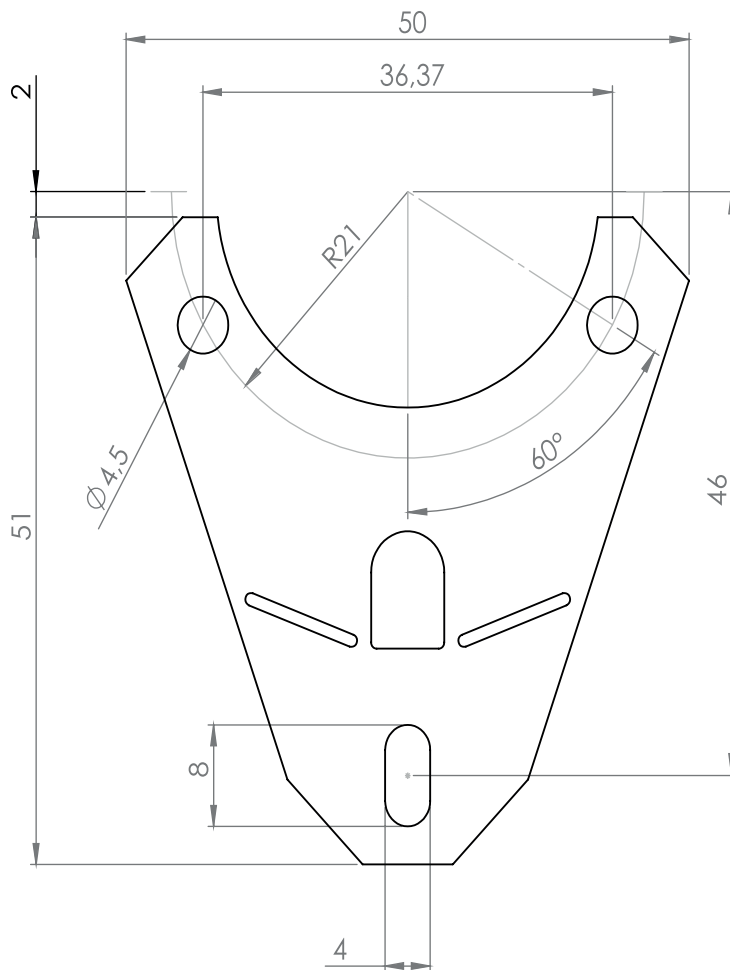


*Flexible and durable
encoder for demanding
applications*

UL File E342441

CE Conforms to european EMC directive
89/336/EEC standards:
EN61000-6-4 emission in industrial environments
EN61000-6-2 immunity in industrial environments

DESCRIPTION STATOR COUPLING 3-213-1733



3-213-1733
Rotationstop

ORDERING KEY

3-213-1733



Skogsvägen 1, SE-645 34 Strängnäs, Sweden
Tel: +46 152 33 11 90 Fax: +46 152 33 11 91
E-mail: info@emetaencoders.com
www.emetaencoders.com