

ADAPTER FLANGE



ADAPTER FLANGE

3-480-2536

- For use with MB480 Encoder
- For redundancy option
- Mounting at the M480 encoder flange
- Anodized aluminium

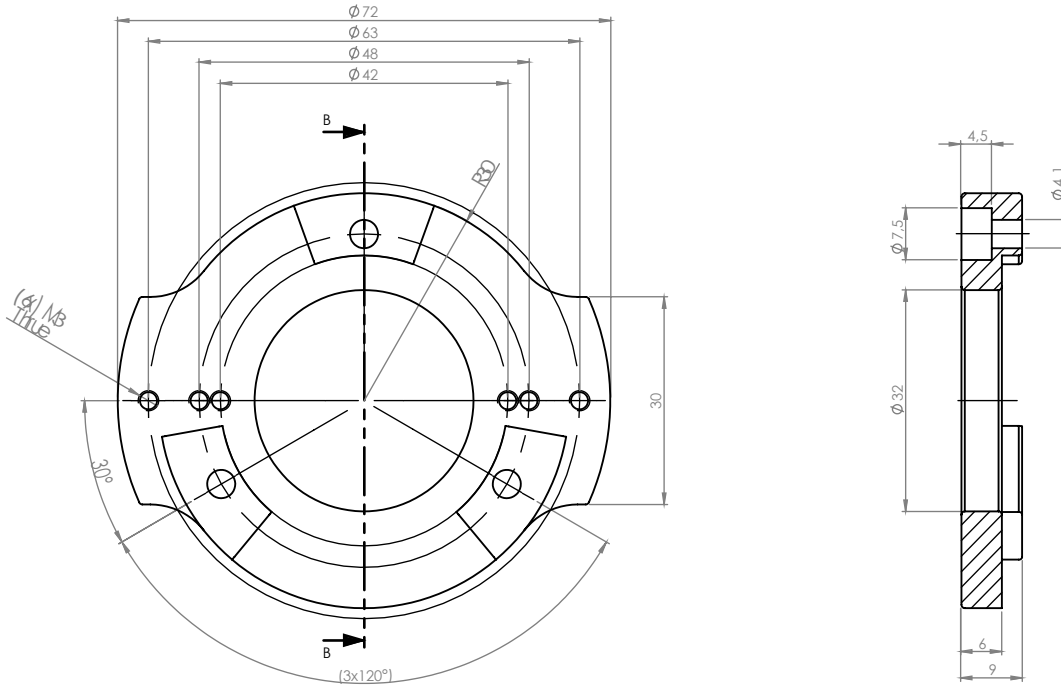


*Flexible and durable
encoder for demanding
applications*

UL File E342441

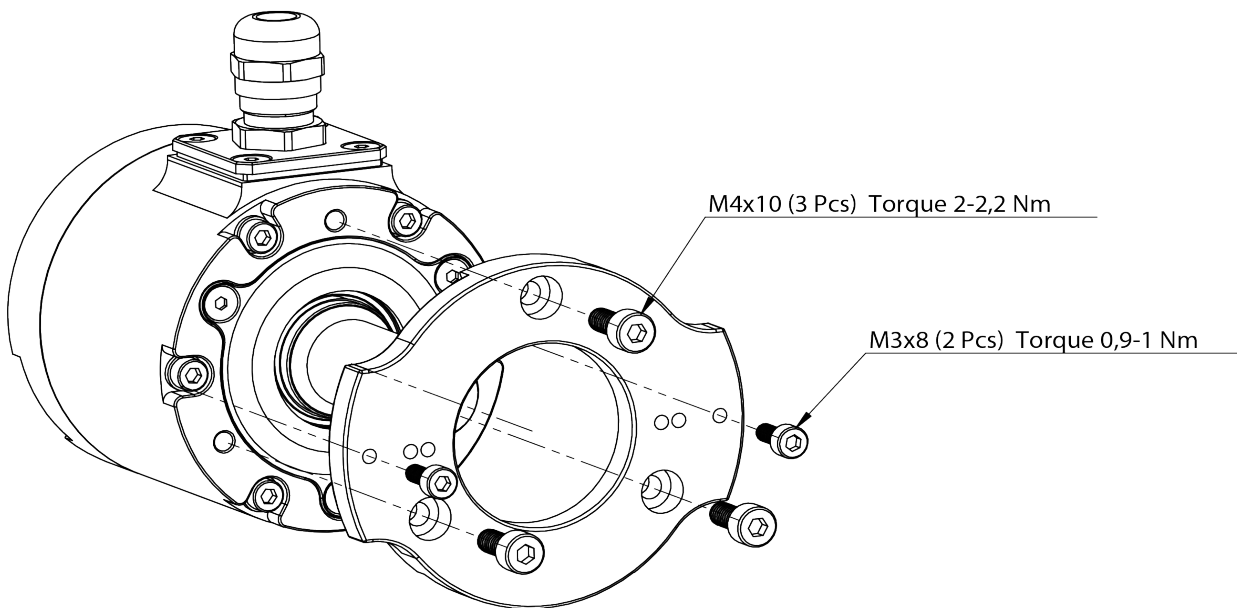
CE Conforms to european EMC directive
89/336/EEC standards:
EN61000-6-4 emission in industrial environments
EN61000-6-2 immunity in industrial environments

DESCRIPTION ADAPTER FLANGE 3-480-2536



ADAPTER FLANGE 3-480-2536

MOUNTING OF ADAPTER FLANGE 3-480-2536



ORDERING KEY

3-480-2536



Skogsvägen 1, SE-645 34 Strängnäs, Sweden
Tel: +46 152 33 11 90 Fax: +46 152 33 11 91
E-mail: info@emetaencoders.com
www.emetaencoders.com